

HARDI PUMP 1203



General specifications

- Two diaphragm positive displacement pump.
- Base plate incorporated in crankcase.
- Self-priming.
- Can be run dry.
- Can rotate clockwise or anticlockwise.
- Single grease point for lubrication.
- Dry sump to simplify maintenance.
- No special tools needed for maintenance.
- Polyurethane diaphragms and seals.
- Stainless steel diaphragm discs and bolts.
- Cast iron crankcase and covers.
- 1 1/4" suction port, 1" pressure port.
- Recommended to use HARDI suction and pressure dampers.

1203/6.0 (Ref. no. 821629)

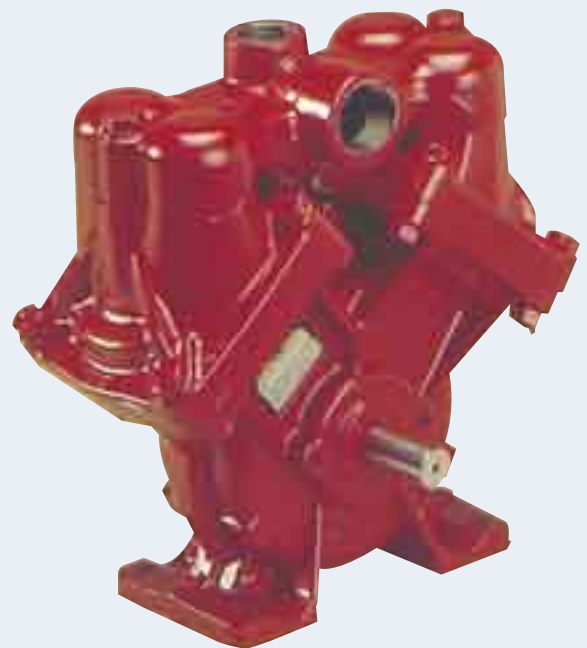
- Tapered shaft for tractor use with HARDI transmission shaft.
- Normal operating revolutions, 1000 r/min.
- Maximum pressure, 15 bar / 220 PSI.
- Maximum vacuum, 0.22 bar / 3.2 PSI.
- Weight, 25.5 kg / 56 lb.

1203/9.0 (Ref. no. 821630)

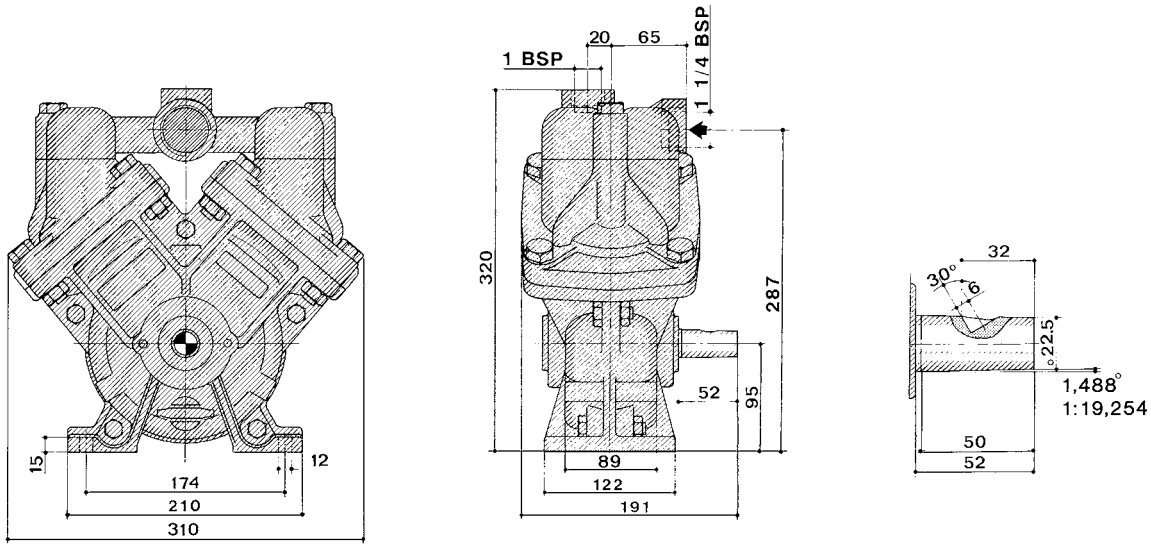
- Tapered shaft for tractor use with HARDI transmission shaft.
- Normal operating revolutions, 540 r/min.
- Maximum pressure, 15 bar / 220 PSI.
- Maximum vacuum, 0.5 bar / 7.4 PSI.
- Weight, 25.5 kg / 56 lb.



1203 with direct drive unit



1203 pump



mm to in = mm x 0.0394

	r/min	300		400		500		540		600		700		800		900		1000		1100		1200			
	bar	l/min	kW	l/min	kW	l/min	kW			l/min	kW	l/min	kW	l/min	kW	l/min	kW	l/min	kW	l/min	kW	l/min	kW		
1203/6.0	0	36	0.9	47	1.2	58	1.5			71	1.8	83	2.1	93	2.4	101	2.8	108	3.0	115	3.4	128	3.7		
	2	26	1.0	36	1.3	45	1.6			53	1.9	64	2.2	73	2.5	82	2.8	89	3.0	100	3.4	110	3.7		
	4	24	1.0	32	1.3	40	1.6			48	1.9	57	2.2	64	2.5	71	2.8	77	3.1	88	3.5	92	3.7		
	6	23	1.0	31	1.3	39	1.6			46	1.9	53	2.2	60	2.5	68	2.8	74	3.2	82	3.5	87	3.8		
	10	22	1.2	30	1.4	37	1.7			43	2.0	51	2.2	57	2.6	64	2.9	70	3.2	77	3.6	82	3.9		
	15	21	1.3	28	1.5	35	1.8			42	2.1	48	2.4	54	2.8	61	3.2	66	3.5	72	3.9	77	4.1		
		PSI	gpm	Hp	gpm	Hp	gpm	Hp			gpm	Hp	gpm	Hp	gpm	Hp	gpm	Hp	gpm	Hp	gpm	Hp	gpm	Hp	
		0	9.5	1.2	12.4	1.6	15.3	2.0			18.7	2.4	21.9	2.8	24.6	3.2	26.7	3.8	28.5	4.0	30.4	4.6	33.8	5.0	
		29	6.9	1.3	9.5	1.7	11.9	2.1			14.0	2.5	16.9	3.0	19.3	3.4	21.6	3.8	23.5	4.0	26.4	4.6	29.0	5.0	
		58	6.3	1.3	8.4	1.7	10.6	2.1			12.7	2.5	15.0	3.0	16.9	3.4	18.7	3.8	20.3	4.2	23.2	4.7	24.3	5.0	
	88	6.1	1.3	8.2	1.7	10.3	2.1			12.1	2.5	14.0	3.0	15.8	3.4	18.0	3.8	19.5	4.3	21.6	4.7	23.0	5.1		
	147	5.8	1.6	7.9	1.9	9.8	2.3			11.4	2.7	13.5	3.0	15.0	3.5	16.9	3.9	18.5	4.3	20.3	4.8	21.6	5.2		
	220	5.5	1.7	7.4	2.0	9.2	2.4			11.1	2.8	12.7	3.2	14.3	3.8	16.1	4.3	17.4	4.7	19.0	5.2	20.3	5.5		
1203/9.0		bar	l/min	kW	l/min	kW	l/min	kW	l/min	kW	l/min	kW	l/min	kW	l/min	kW	l/min	kW	l/min	kW	l/min	kW	l/min	kW	
	0	56	0.9	72	1.3	93	1.5	99	1.6	112	1.8	130	2.1												
	2	40	1.0	55	1.3	70	1.6	75	1.7	83	1.8	96	2.1												
	4	40	1.1	54	1.3	66	1.6	72	1.7	80	1.8	93	2.2												
	6	40	1.1	53	1.4	65	1.6	71	1.7	79	1.9	91	2.2												
	10	38	1.4	52	1.7	64	1.8	69	1.9	77	2.1	88	2.5												
	15	37	1.6	50	2.0	62	2.3	67	2.5	75	2.8	86	3.3												
		PSI	gpm	Hp	gpm	Hp	gpm	Hp	gpm	Hp	gpm	Hp	gpm	Hp											
		0	14.8	1.2	19.0	1.7	24.6	2.0	26.1	2.1	29.6	2.4	34.3	2.8											
		29	10.6	1.3	14.5	1.7	18.5	2.1	19.8	2.3	21.9	2.4	25.3	2.8											
	58	10.6	1.5	14.3	1.7	17.4	2.1	19.0	2.3	21.1	2.4	24.6	3.0												
	88	10.6	1.5	14.0	1.9	17.2	2.1	18.7	2.3	20.9	2.5	24.0	3.0												
	147	10.0	1.9	13.7	2.3	16.9	2.4	18.2	2.5	20.3	2.8	23.2	3.4												
	220	9.8	2.1	13.2	2.7	16.4	3.1	17.7	3.4	19.8	3.8	22.7	4.4												

Model/stroke
r/min
Bar / PSI
kW / Hp
l/min / gpm

Pump model and pump stroke in millimetre.
Maximum revolutions per minute is indicated by the highest figure.
Maximum pressure is indicated by the highest figure.
Power consumption in kilowatt and horsepower.
Capacity in litres and US gallons per minute at zero suction lift.

HARDI INTERNATIONAL A/S
HELGESHØJ ALLE 38 • DK 2630 TAASTRUP • DENMARK
E-Mail: hardi@hardi-international.com • www.hardi-international.com